

ZOMM SERIES

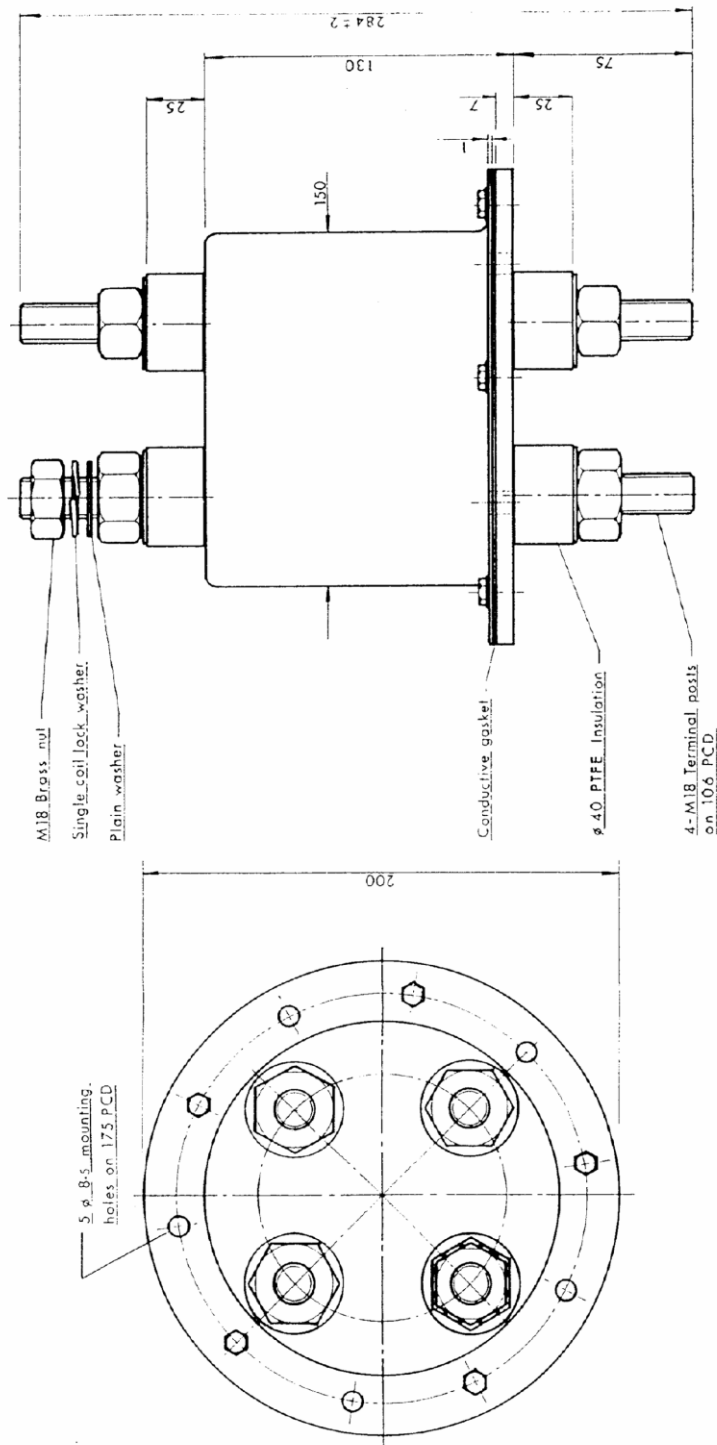
ZOMM 123 / (XXX) / 4 / 4

(XXX)	1	2	3	4	5	6	7	8	9	10	11
Continuous Operating Voltage : a.c. (rms)	120	135	150	180	220	250	280	320	380	415	440
Energy per channel (Joules) (10/1000µs)	400	480	500	520	640	720	840	920	1040	1160	1280
Max. Peak Clamping Volts at 100A (8/20µs)	330	370	410	500	620	680	790	870	1050	1140	1200

Characteristics:

No. of channels	4
50 Shot (4/20µs) Repetitive Duty	5000A
Response Time	<10ns
Continuous Current per Channel	600A
Max. (8/20µs) Current per Channel	50000A
Leakage Current per Channel at Rated Voltage, d.c.	<200µA
Through Inductance	<10µH
Volts Drop	Negligible
Terminations	24mm Copper
Bushes	PTFE
Earth Connection	To Base Plate
Recommended Torque per M18 Terminal	40Nm (Ensure terminal does not rotate)

ZOMM 123 / (XXX) / 4 / 4



Contacts

**PD Devices Ltd
Old Station Yard,
South Brent,
Devon,
TQ10 9AL, UK.**

**Telephone : +44 01364 649248
Facsimile : +44 01364 649250
E-mail Enquiries : enquiries@pddevices.co.uk
Web Site : www.pddevices.co.uk**

enquiries@pddevices.co.uk

www.pddevices.co.uk

+44 (0)1364 649248